



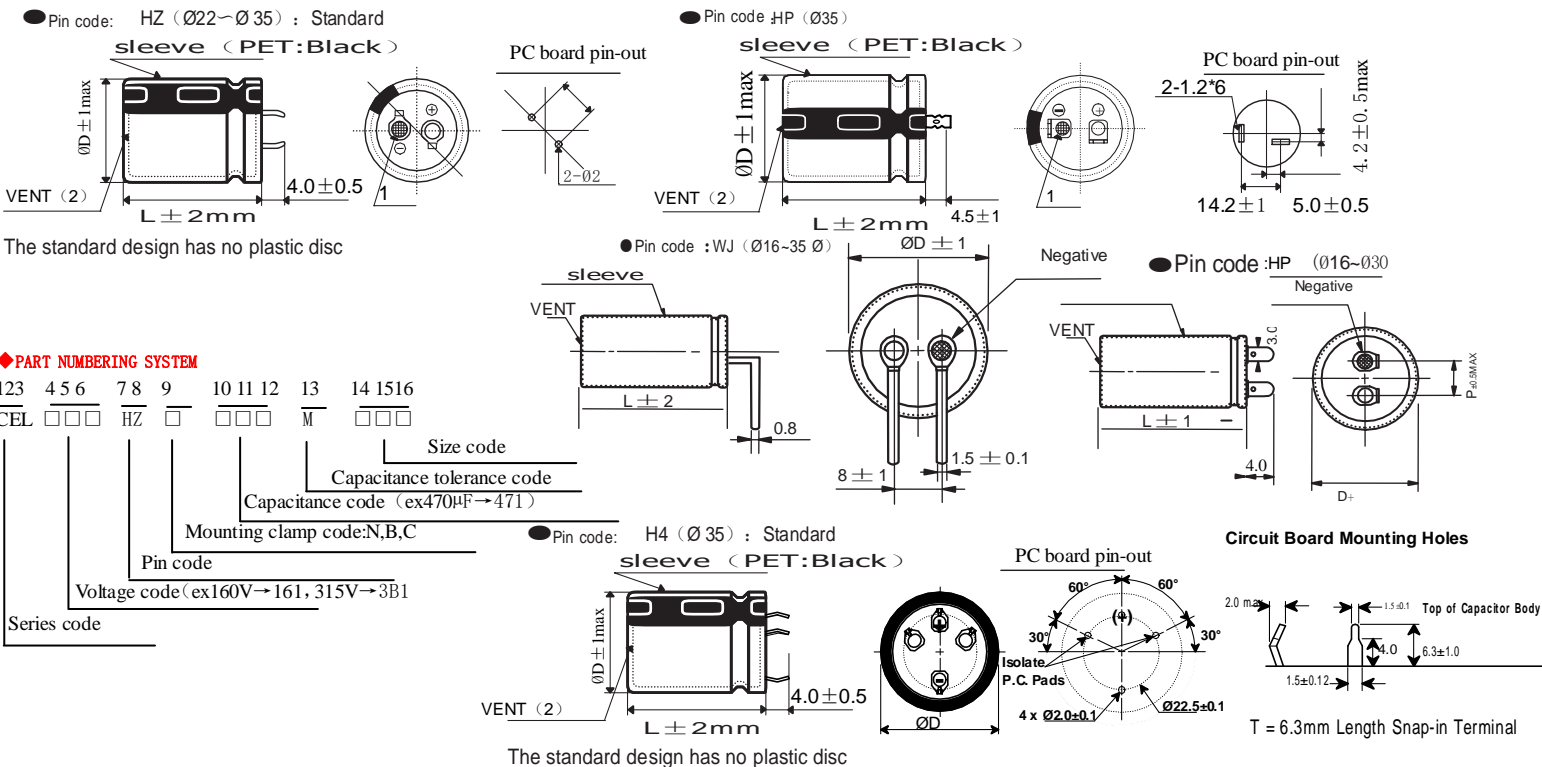
- Downsized 5mm in height from current snap-in CER series
- MAX. 50%UP ripple current than same case size of CER series
- Endurance with ripple current: 2000 hours at 105°C
- Rated voltage range: 160 to 450VDC, capacitance range: 100 to 3300µF.
- for inverter control, switching power supplies,
- Efficient heating energy-saving equipment
- Non solvent resistant type.



SPECIFIC ATIONS

items	characteristics				
Category temperature Range	-25~+105°C				
Rated voltage Range	10~450 _{VDC}				
Capacitance Tolerance	± 20% (M) 20°C、120HZ				
Leakage Current	I=0.02CV or 5mA, whichever is smaller I: Where, I : Max. leakage current (µA), C: Nominal capacitance (µF)、Rated voltage (V) at 20°C after 5 minutes)				
Dissipation Factor (MAX)	Rated voltage (Vdc)	160~250V	315~400V	420~450V	
	tanδ	0.15	0.16	0.20	
Low Temperature characteristics	Rated voltage (Vdc)	200v	250v	400v	450v
	Z (-25°C)/Z (+20°C)	≤4			
Equivalent Series Inductance	≤50nH				
Shelf Life	The following specifications shall be satisfied when the capacitors are restored to 20°C after exposing them for 500 hours at 105°C without voltage applied. Before the measurement, the capacitor shall be preconditioned by applying voltage according to Item 4.1 of JIS C 5101-4				
	Capacitance change	≤±20% of the initial value			
	D.F. (tanδ)	≤300% of the initial specified value			
	Leakage current	≤The initial specified value			
Shelf Life	The following specifications shall be satisfied when the capacitors are restored to 20°C after subjected to DC voltage with the rated ripple current is applied (the peak voltage shall not exceed the rated voltage) for 5,000 hours at 105°C				
	Capacitance change	≤±20% of the initial value			
	D.F. (tanδ)	≤300% of the initial specified value			
	Leakage current	≤The initial specified value			

size Fig (snap-in Fig)[mm]



Product specifications in this catalog are subject to change without notice. Request our product specifications before purchase and/or use. Please use our products based on the information contained in this catalog and product specifications



SRANDRAD RATINGS

WV [Vdc]	cap [μ F]	Case size D x L [mm]	ripple currentAm s105°C 120Hz	Ripple current IR~100 Hz, 85°C [A]	Par t NO.	WV [Vdc]	cap [μ F]	Case size D x L [mm]	ripple currentAm s105°C 120Hz	Ripple current IR~100 Hz, 85°C [A]	Par t NO.
10V 13SV	12000	22*25	0.061	2.41	CEL010NJ123KE25	16V 20SV	39000	30*45	0.017	6.21	CEL016NJ393KG45
	15000	22*30	0.049	2.88	CEL010NJ153KE30		39000	35*35	0.017	6.12	CEL016NJ393KA35
	15000	25*25	0.049	2.88	CEL010NJ153KF25		47000	30*50	0.014	6.93	CEL016NJ473KG50
	18000	22*35	0.041	3.22	CEL010NJ183KE35		47000	35*40	0.014	6.89	CEL016NJ473KA40
	18000	25*30	0.041	3.08	CEL010NJ183KF30		56000	35*45	0.012	7.69	CEL016NJ563KA45
	22000	22*40	0.033	3.79	CEL010NJ223KE40	35V 44SV	5600	22*25	0.107	2.31	CEL025NJ562KE25
	22000	25*30	0.033	3.66	CEL010NJ223KG25		6800	22*30	0.088	2.56	CEL025NJ682KE30
	22000	30*25	0.033	3.53	CEL010NJ223KG25		8200	22*35	0.073	2.86	CEL025NJ822KE35
	27000	22*45	0.027	4.04	CEL010NJ273KE45		8200	25*25	0.073	2.78	CEL025NJ822KF25
	27000	25*35	0.027	4.04	CEL010NJ273KF35		10000	22*35	0.060	3.31	CEL025NJ103KE35
	27000	30*30	0.027	3.99	CEL010NJ273KG30		10000	25*30	0.060	3.16	CEL025NJ103KF30
	33000	22*50	0.022	4.58	CEL010NJ333KE50		10000	30*25	0.060	3.28	CEL025NJ103KG25
	33000	25*40	0.022	4.56	CEL010NJ333KF40		12000	22*40	0.050	3.77	CEL025NJ123KE40
	33000	30*30	0.022	4.58	CEL010NJ333KG30		12000	25*35	0.050	3.63	CEL025NJ123KF35
	39000	25*45	0.019	5.29	CEL010NJ393KF45		12000	30*25	0.050	3.80	CEL025NJ123KG25
	39000	30*35	0.019	5.21	CEL010NJ393KG35		15000	22*50	0.040	4.21	CEL025NJ153KE50
	39000	35*30	0.019	5.50	CEL010NJ393KA30		15000	25*40	0.040	4.10	CEL025NJ153KF40
	47000	25*50	0.016	5.78	CEL010NJ473KF50		15000	30*30	0.040	4.00	CEL025NJ153KG30
	47000	30*40	0.016	5.78	CEL010NJ473KG40		18000	25*45	0.033	4.68	CEL025NJ183KF45
	47000	35*35	0.016	5.55	CEL010NJ473KA35		18000	30*35	0.033	4.66	CEL025NJ183KG35
56000	30*45	0.013	6.59	CEL010NJ563KG45	18000		35*30	0.033	4.68	CEL025NJ183KA30	
56000	35*35	0.013	6.40	CEL010NJ563KA35	22000		25*50	0.027	5.29	CEL025NJ223KF50	
68000	30*50	0.011	7.50	CEL010NJ683KG50	22000		30*40	0.027	5.33	CEL025NJ223KG40	
68000	35*40	0.011	7.48	CEL010NJ683KA40	22000		35*35	0.027	5.26	CEL025NJ223KA35	
82000	35*50	0.009	8.50	CEL010NJ823KA50	27000		30*45	0.022	6.02	CEL025NJ273KG45	
16V 20SV	8200	22*25	0.081	2.56	CEL016NJ822KE25	27000	35*40	0.022	6.02	CEL025NJ273KA40	
	10000	22*30	0.066	2.89	CEL016NJ103KE30	33000	30*50	0.018	5.29	CEL025NJ333KG50	
	12000	22*30	0.055	3.13	CEL016NJ123KE30	33000	35*45	0.018	6.75	CEL025NJ333KA45	
	12000	25*25	0.055	3.01	CEL016NJ123KF25	39000	35*50	0.015	7.56	CEL025NJ393KA50	
	15000	22*35	0.044	3.69	CEL016NJ153KE35	35V 44SV	3900	22*25	0.136	2.22	CEL035NJ392KE25
	15000	25*30	0.044	3.64	CEL016NJ153KF30		4700	22*30	0.113	2.46	CEL035NJ472KE30
	15000	30*25	0.044	3.73	CEL016NJ153KG25		4700	25*25	0.113	2.43	CEL035NJ472KF25
	18000	22*40	0.037	3.98	CEL016NJ183KE40		5600	22*30	0.095	2.61	CEL035NJ562KE30
	18000	25*35	0.037	3.98	CEL016NJ183KF35		5600	22*35	0.095	2.79	CEL035NJ562KE35
	18000	30*30	0.037	3.88	CEL016NJ183KG30		5600	25*30	0.095	2.75	CEL035NJ562KF30
	22000	22*50	0.030	4.52	CEL016NJ223KE50		6800	22*40	0.078	2.97	CEL035NJ682KE40
	22000	25*40	0.030	4.44	CEL016NJ223KF40		6800	25*30	0.078	2.89	CEL035NJ682KF30
	22000	30*30	0.030	4.38	CEL016NJ223KG30		6800	30*25	0.078	3.09	CEL035NJ682KG25
	27000	25*45	0.025	4.98	CEL016NJ273KF45		8200	22*45	0.065	3.47	CEL035NJ822KE45
	27000	30*35	0.025	4.95	CEL016NJ273KG35		8200	25*35	0.065	3.33	CEL035NJ822KF35
	27000	35*30	0.025	4.82	CEL016NJ273KA30		8200	30*30	0.065	3.29	CEL035NJ822KG30
33000	25*50	0.020	5.49	CEL016NJ333KF50	10000		22*50	0.053	3.75	CEL035NJ103KE50	
33000	30*40	0.020	5.60	CEL016NJ333KG40	10000		25*40	0.053	3.65	CEL035NJ103KF40	
33000	35*30	0.020	5.46	CEL016NJ333KA30	10000		30*30	0.053	3.61	CEL035NJ103KG30	

Product specifications in this catalog are subject to change without notice. Request our product specifications before purchase and/or use. Please use our products based on the information contained in this catalog and product specifications

35V 44SV	12000	25*45	0.044	4.15	CEL035NJ123KF45	63V 79SV	8200	30*45	0.049	5.12	CEL063NJ822KG45
	12000	30*35	0.044	4.14	CEL035NJ123KG35		8200	35*35	0.049	5.05	CEL063NJ822KA35
	12000	35*30	0.044	4.27	CEL035NJ123KA30		10000	30*50	0.040	5.78	CEL063NJ103KG50
	15000	25*50	0.035	4.77	CEL035NJ153KF50		10000	35*40	0.040	5.75	CEL063NJ103KA40
	15000	30*40	0.035	4.80	CEL035NJ153KG40		12000	30*50	0.033	6.20	CEL063NJ123KG50
	15000	35*35	0.035	4.95	CEL035NJ153KA35		12000	35*45	0.033	6.47	CEL063NJ123KA45
	18000	30*45	0.029	5.30	CEL035NJ183KG45		12000	35*50	0.033	6.76	CEL063NJ123KA50
	18000	35*40	0.029	5.71	CEL035NJ183KA40		1200	22*25	0.276	1.77	CEL080NJ122KE25
	22000	35*45	0.024	6.38	CEL035NJ223KA45		1500	22*30	0.221	2.01	CEL080NJ152KE30
	27000	35*50	0.020	6.90	CEL035NJ273KA50		1800	22*30	0.184	2.11	CEL080NJ182KE30
50V 63SV	2200	22*25	0.211	1.93	CEL050NJ222KE25	80V 100SV	1800	25*25	0.184	2.26	CEL080NJ182KF25
	2700	22*30	0.172	2.21	CEL050NJ272KE30		2200	22*40	0.151	2.53	CEL080NJ222KE40
	3300	22*30	0.141	2.41	CEL050NJ332KE30		2200	25*30	0.151	2.53	CEL080NJ222KF30
	3300	25*25	0.141	2.38	CEL050NJ332KF25		2200	30*25	0.151	2.56	CEL080NJ222KG25
	3900	22*35	0.119	2.72	CEL050NJ392KE35		2700	22*45	0.123	2.93	CEL080NJ272KE45
	3900	25*30	0.119	2.68	CEL050NJ392KF30		2700	25*35	0.123	2.93	CEL080NJ272KF35
	4700	22*40	0.099	3.02	CEL050NJ472KE40		2700	30*30	0.123	2.91	CEL080NJ272KG30
	4700	25*30	0.099	3.07	CEL050NJ472KF30		3300	22*50	0.101	3.23	CEL080NJ332KE50
	4700	30*25	0.099	3.01	CEL050NJ472KG25		3300	25*40	0.101	3.29	CEL080NJ332KF40
	5600	22*40	0.083	3.26	CEL050NJ562KE40		3300	30*30	0.101	3.25	CEL080NJ332KG30
	5600	22*45	0.083	3.43	CEL050NJ562KF35		3900	25*45	0.085	3.62	CEL080NJ392KF45
	5600	25*35	0.083	3.47	CEL050NJ562KF35		3900	30*35	0.085	3.70	CEL080NJ392KG35
	5600	30*30	0.083	3.43	CEL050NJ562KG30		4700	25*50	0.071	4.28	CEL080NJ472KF50
	6800	22*50	0.068	3.94	CEL050NJ682KE50		4700	30*40	0.071	4.23	CEL080NJ472KG40
	6800	25*40	0.068	3.87	CEL050NJ682KF40		4700	35*30	0.071	4.12	CEL080NJ472KA30
	6800	30*35	0.068	3.93	CEL050NJ682KG35		5600	30*45	0.059	4.70	CEL080NJ562KG45
	8200	25*45	0.057	4.44	CEL050NJ822KF45		5600	35*35	0.059	4.64	CEL080NJ560KA35
	8200	30*35	0.057	4.47	CEL050NJ822KG35		6800	30*50	0.049	5.27	CEL080NJ682KG50
	8200	35*30	0.057	4.41	CEL050NJ822KA30		6800	35*40	0.049	5.24	CEL080NJ682KA40
	10000	30*40	0.046	5.08	CEL050NJ103KG40		8200	35*45	0.040	5.89	CEL080NJ822KA45
10000	35*35	0.046	4.92	CEL050NJ103KA35	10000	35*50	0.033	6.63	CEL080NJ103KA50		
12000	30*50	0.039	5.72	CEL050NJ123KG50	820	22*25	0.324	1.86	CEL100NJ821KE25		
12000	35*40	0.039	5.69	CEL050NJ123KA40	1000	22*30	0.265	2.02	CEL100NJ102KE30		
15000	35*45	0.031	6.56	CEL050NJ153KA45	1200	22*30	0.221	2.12	CEL100NJ122KE30		
18000	35*50	0.026	7.14	CEL050NJ183KA50	1200	25*25	0.221	2.11	CEL100NJ122KF25		
22000	35*50	0.021	7.89	CEL050NJ223KA50	1500	22*35	0.177	2.45	CEL100NJ152KE35		
63V 79SV	1800	22*25	0.221	1.90	CEL063NJ182KE25	100V 125SV	1500	25*30	0.177	2.47	CEL100NJ152KF30
	2200	22*30	0.181	2.35	CEL063NJ222KE30		1800	22*40	0.147	2.77	CEL100NJ182KE40
	2200	25*25	0.181	2.30	CEL063NJ222KF25		1800	25*35	0.147	2.81	CEL100NJ182KF35
	2700	22*35	0.147	2.50	CEL063NJ272KE35		1800	30*25	0.147	2.65	CEL100NJ182KG25
	2700	25*30	0.147	2.52	CEL063NJ272KF30		2200	22*45	0.121	3.15	CEL100NJ222KE45
	3300	22*40	0.121	2.72	CEL063NJ332KE40		2200	25*40	0.121	3.21	CEL100NJ222KF40
	3300	25*30	0.121	2.72	CEL063NJ332KF30		2200	30*30	0.121	3.17	CEL100NJ222KG30
	3300	30*25	0.121	2.74	CEL063NJ332KG25		2700	25*45	0.098	3.66	CEL100NJ272KF45
	3900	22*45	0.102	3.09	CEL063NJ392KE45		2700	30*35	0.098	3.65	CEL100NJ272KG35
	3900	25*35	0.102	3.13	CEL063NJ392KF35		2700	35*30	0.098	3.77	CEL100NJ272KA30
	3900	30*30	0.102	3.09	CEL063NJ392KG30		3300	25*50	0.080	4.15	CEL100NJ332KA50
	4700	22*50	0.085	3.69	CEL063NJ472KE50		3300	30*40	0.080	4.18	CEL100NJ332KG40
	4700	25*40	0.085	3.59	CEL063NJ472KF40		3300	35*35	0.080	4.07	CEL100NJ332KA35
	4700	30*30	0.085	3.54	CEL063NJ472KG30		3900	30*45	0.068	4.67	CEL100NJ392KG45
	5600	25*45	0.071	4.01	CEL063NJ562KF45		3900	35*35	0.068	4.61	CEL100NJ392KA35
	5600	30*35	0.071	4.00	CEL063NJ562KG35		4700	35*40	0.056	5.23	CEL100NJ472KA40
	5600	35*30	0.071	3.75	CEL063NJ562KA30		4700	30*50	0.056	5.26	CEL100NJ472KG50
	6800	25*50	0.059	4.52	CEL063NJ682KF50		5600	35*45	0.047	5.88	CEL100NJ562KA45
	6800	30*40	0.059	4.55	CEL063NJ682KG40		5600	35*50	0.039	6.01	CEL100NJ562KA50
	6800	35*30	0.059	4.44	CEL063NJ682KA30						

Product specifications in this catalog are subject to change without notice. Request our product specifications before purchase and/or use. Please use our products based on the information contained in this catalog and product specifications

160V 200SV	390	22*25	0.510	1.63	CEL160NJ391KE25	200V 250SV	680	22*45	0.293	2.48	CEL200NJ681KE45
	470	22*30	0.423	1.86	CEL160NJ471KE30		680	25*35	0.293	2.48	CEL200NJ681KF35
	470	25*25	0.423	1.86	CEL160NJ471KF25		680	30*30	0.293	2.48	CEL200NJ681KG30
	560	22*30	0.355	2.15	CEL160NJ561KE30		820	22*50	0.243	2.81	CEL200NJ821KE50
	560	25*30	0.355	2.15	CEL160NJ561KF30		820	25*40	0.243	2.79	CEL200NJ821KF40
	680	22*40	0.293	2.35	CEL160NJ681KE40		820	30*30	0.243	2.75	CEL200NJ821KG30
	680	25*30	0.293	2.33	CEL160NJ681KF30		1000	25*45	0.199	3.28	CEL200NJ102KF45
	680	30*25	0.293	2.33	CEL160NJ681KG25		1000	30*35	0.199	3.15	CEL200NJ102KG35
	820	22*45	0.243	2.68	CEL160NJ821KE45		1000	35*30	0.199	3.25	CEL200NJ102KA30
	820	25*35	0.243	2.65	CEL160NJ821KF35		1200	25*50	0.166	3.61	CEL200NJ122KF50
	820	30*30	0.243	2.64	CEL160NJ821KG30		1200	30*40	0.166	3.61	CEL200NJ122KG40
	1000	22*50	0.199	3.02	CEL160NJ102KE50		1200	30*45	0.166	3.80	CEL200NJ122KG45
	1000	25*40	0.199	3.00	CEL160NJ102KF40		1200	35*35	0.166	3.57	CEL200NJ122KA35
	1000	30*30	0.199	2.96	CEL160NJ102KG30		1500	30*45	0.133	4.13	CEL200NJ152KG45
	1200	25*45	0.166	3.43	CEL160NJ122KF45		1500	35*35	0.133	3.85	CEL200NJ152KA35
	1200	30*35	0.166	3.41	CEL160NJ122KG35		1500	35*40	0.133	4.06	CEL200NJ152KA40
	1200	35*30	0.166	3.40	CEL160NJ122KA30		1500	35*45	0.133	4.26	CEL200NJ152KA45
	1500	30*40	0.133	3.96	CEL160NJ152KG40		1800	35*45	0.111	4.59	CEL200NJ182KA45
	1500	35*35	0.133	3.94	CEL160NJ152KA35		2200	35*50	0.090	5.25	CEL200NJ222KA50
	1800	30*45	0.111	4.31	CEL160NJ182KG45		220	22*25	0.905	1.30	CEL220NJ221KE25
1800	35*35	0.111	4.28	CEL160NJ182KA35	270	22*25	0.737	1.42	CEL220NJ271KE25		
2200	35*40	0.090	4.96	CEL160NJ222KA40	330	22*30	0.603	1.59	CEL220NJ331KE30		
2700	35*50	0.074	5.57	CEL160NJ272KA50	330	25*25	0.603	1.59	CEL220NJ331KF25		
180V 225SV	330	22*25	0.603	1.49	CEL180NJ331KE25	390	22*35	0.510	1.80	CEL220NJ391KE35	
	390	22*25	0.510	1.84	CEL180NJ391KE25	390	25*25	0.510	1.75	CEL220NJ391KF25	
	470	22*30	0.423	1.91	CEL180NJ471KE30	470	22*35	0.423	2.06	CEL220NJ471KE35	
	470	25*25	0.423	2.08	CEL180NJ471KF25	470	25*30	0.423	2.08	CEL220NJ471KF30	
	560	22*35	0.355	2.25	CEL180NJ561KE35	470	30*25	0.423	2.16	CEL220NJ471KG25	
	560	25*25	0.355	2.25	CEL180NJ561KF25	560	22*40	0.355	2.22	CEL220NJ561KE40	
	680	22*35	0.293	2.48	CEL180NJ681KE35	560	25*35	0.355	2.38	CEL220NJ561KF35	
	680	25*30	0.293	2.50	CEL180NJ681KF30	560	30*25	0.355	2.18	CEL220NJ561KG25	
	680	30*25	0.293	2.46	CEL180NJ681KG25	680	22*45	0.293	2.62	CEL220NJ681KE45	
	820	22*40	0.243	2.86	CEL180NJ821KE40	680	25*40	0.293	2.56	CEL220NJ681KF40	
	820	25*35	0.243	2.75	CEL180NJ821KF35	680	30*30	0.293	2.52	CEL220NJ681KG30	
	820	30*25	0.243	2.69	CEL180NJ821KG25	820	25*45	0.243	2.91	CEL220NJ821KF45	
	1000	25*40	0.199	3.06	CEL180NJ102KF40	820	30*35	0.243	2.84	CEL220NJ821KG35	
	1000	30*30	0.199	3.10	CEL180NJ102KG30	820	35*35	0.243	2.79	CEL220NJ821KA35	
	1200	25*45	0.166	3.63	CEL180NJ122KF45	1000	25*50	0.199	3.53	CEL220NJ102KF50	
	1200	30*35	0.166	3.55	CEL180NJ122KG35	1000	30*40	0.199	3.36	CEL220NJ102KG40	
	1200	35*30	0.166	3.49	CEL180NJ122KA30	1000	35*30	0.199	3.29	CEL220NJ102KA30	
	1500	30*40	0.133	4.10	CEL180NJ152KG40	1200	30*40	0.166	3.54	CEL220NJ122KG40	
	1500	35*35	0.133	4.02	CEL180NJ152KA35	1200	30*45	0.166	3.72	CEL220NJ122KG45	
	1800	30*45	0.111	4.55	CEL180NJ182KG45	1200	35*35	0.166	3.68	CEL220NJ122KA35	
1800	35*35	0.111	4.54	CEL180NJ182KA35	1500	35*40	0.133	4.10	CEL220NJ152KA40		
2200	35*40	0.090	4.83	CEL180NJ222KA40	1800	35*45	0.111	4.52	CEL220NJ182KA45		
2700	35*50	0.074	5.30	CEL180NJ272KA50	220	22*25	0.905	1.24	CEL250NJ221KE25		
200V 250SV	270	22*25	0.737	1.37	CEL200NJ271KE25	270	22*30	0.737	1.50	CEL250NJ271KE30	
	330	22*30	0.603	1.63	CEL200NJ331KE30	330	22*30	0.603	1.66	CEL250NJ331KE30	
	330	22*25	0.603	1.51	CEL200NJ331KE25	330	25*25	0.603	1.61	CEL250NJ331KF25	
	390	22*30	0.510	1.73	CEL200NJ391KE30	390	22*35	0.510	1.88	CEL250NJ391KE35	
	390	25*25	0.510	1.71	CEL200NJ391KF25	390	25*30	0.510	1.88	CEL250NJ391KF30	
	470	22*30	0.423	1.97	CEL200NJ471KE30	470	22*40	0.423	2.15	CEL250NJ471KE40	
	470	25*30	0.423	1.95	CEL200NJ471KF30	470	25*35	0.423	2.15	CEL250NJ471KF35	
	560	22*40	0.355	2.18	CEL200NJ561KE40	470	30*25	0.423	2.04	CEL250NJ471KG25	
	560	25*30	0.355	2.15	CEL200NJ561KF30	560	22*45	0.355	2.48	CEL250NJ561KE45	
	560	30*25	0.355	2.15	CEL200NJ561KG25	560	25*35	0.355	2.35	CEL250NJ561KF35	
200V 300SV	680	22*45	0.293	2.48	CEL200NJ681KE45	220	22*25	0.905	1.24	CEL250NJ221KE25	
	680	25*35	0.293	2.48	CEL200NJ681KF35	270	22*30	0.737	1.50	CEL250NJ271KE30	
	680	30*30	0.293	2.48	CEL200NJ681KG30	330	22*30	0.603	1.66	CEL250NJ331KE30	
	820	22*50	0.243	2.81	CEL200NJ821KE50	330	25*25	0.603	1.61	CEL250NJ331KF25	
	820	25*40	0.243	2.79	CEL200NJ821KF40	390	22*35	0.510	1.88	CEL250NJ391KE35	
	820	30*30	0.243	2.75	CEL200NJ821KG30	390	25*30	0.510	1.88	CEL250NJ391KF30	
	1000	25*45	0.199	3.28	CEL200NJ102KF45	470	22*40	0.423	2.15	CEL250NJ471KE40	
	1000	30*35	0.199	3.15	CEL200NJ102KG35	470	25*35	0.423	2.15	CEL250NJ471KF35	
	1000	35*30	0.199	3.25	CEL200NJ102KA30	470	30*25	0.423	2.04	CEL250NJ471KG25	
	1200	25*50	0.166	3.61	CEL200NJ122KF50	560	22*45	0.355	2.48	CEL250NJ561KE45	
1200	30*40	0.166	3.61	CEL200NJ122KG40	560	25*35	0.355	2.35	CEL250NJ561KF35		

Product specifications in this catalog are subject to change without notice. Request our product specifications before purchase and/or use. Please use our products based on the information contained in this catalog and product specifications

250V 300SV	560	30*30	0.355	2.35	CEL250NJ561KG30
	680	25*40	0.293	2.67	CEL250NJ681KF40
	680	30*35	0.293	2.71	CEL250NJ681KG35
	820	25*50	0.243	3.01	CEL250NJ821KF50
	820	30*35	0.243	2.98	CEL250NJ821KG35
	820	35*30	0.243	2.96	CEL250NJ821KA30
	1000	30*35	0.199	3.20	CEL250NJ102KG35
	1000	30*45	0.199	3.56	CEL250NJ102KG45
	1000	30*50	0.199	3.73	CEL250NJ102KG50
	1000	35*35	0.199	3.48	CEL250NJ102KA35
	1200	30*50	0.166	3.99	CEL250NJ122KG50
	1200	35*40	0.166	3.84	CEL250NJ122KA40
	1500	35*45	0.133	4.33	CEL250NJ152KA45
	1800	35*50	0.111	4.54	CEL250NJ182KA50
315V 365SV	180	22*30	1.106	1.29	CEL315NJ181KE30
	180	25*25	1.106	1.38	CEL315NJ181KF25
	220	22*35	0.905	1.41	CEL315NJ221KE35
	220	25*30	0.905	1.47	CEL315NJ221KF30
	270	22*40	0.737	1.70	CEL315NJ271KE40
	270	25*30	0.737	1.70	CEL315NJ271KF30
	330	22*45	0.603	1.91	CEL315NJ331KE45
	330	25*35	0.603	1.94	CEL315NJ331KF35
	330	30*30	0.603	1.98	CEL315NJ331KG30
	390	22*50	0.510	2.07	CEL315NJ391KE50
	390	25*40	0.510	2.11	CEL315NJ391KF40
	390	30*30	0.510	2.15	CEL315NJ391KG30
	470	25*45	0.423	2.39	CEL315NJ471KF45
	470	30*35	0.423	2.38	CEL315NJ471KG35
	470	35*30	0.423	2.36	CEL315NJ471KA30
	560	30*40	0.355	2.63	CEL315NJ561KG40
	560	35*35	0.355	2.69	CEL315NJ561KA35
	680	30*45	0.293	2.80	CEL315NJ681KG45
	680	35*40	0.293	4.48	CEL315NJ681KA40
	820	30*50	0.243	4.82	CEL315NJ821KG50
820	35*45	0.243	3.45	CEL315NJ821KA45	
1000	35*50	0.199	3.57	CEL315NJ102KA50	
350V 400SV	120	22*25	1.659	1.04	CEL350NJ121KE25
	150	22*30	1.327	1.20	CEL350NJ151KE30
	150	25*25	1.327	1.22	CEL350NJ151KF25
	180	22*30	1.106	1.34	CEL350NJ181KE30
	180	25*25	1.106	1.37	CEL350NJ181KF25
	220	22*35	0.905	1.47	CEL350NJ221KE35
	220	25*30	0.905	1.53	CEL350NJ221KF30
	220	30*25	0.905	1.54	CEL350NJ221KG25
	270	22*40	0.737	1.70	CEL350NJ271KE40
	270	25*35	0.737	1.73	CEL350NJ271KF35
	270	30*25	0.737	1.80	CEL350NJ271KG25
	330	22*45	0.603	1.87	CEL350NJ331KE45
	330	25*40	0.603	1.97	CEL350NJ331KF40
	330	30*30	0.603	2.03	CEL350NJ331KG30
	390	25*40	0.510	2.14	CEL350NJ391KF40
	390	30*35	0.510	2.23	CEL350NJ391KG35
	390	35*30	0.510	2.30	CEL350NJ391KA30
	470	30*35	0.423	2.53	CEL350NJ471KG35
	470	35*30	0.423	2.55	CEL350NJ471KA30
	560	30*40	0.355	2.73	CEL350NJ561KG40

350V 400SV	560	35*35	0.355	2.75	CEL350NJ561KA35
	680	35*40	0.293	3.15	CEL350NJ681KA40
	820	35*45	0.243	3.47	CEL350NJ821KA45
	1000	35*50	0.199	3.60	CEL350NJ102KA50
385V 435SV	82	22*25	2.427	0.76	CEL385NJ820KE25
	100	22*30	1.990	0.89	CEL385NJ101KE30
	120	22*30	1.659	0.98	CEL385NJ121KE30
	120	25*25	1.659	1.02	CEL385NJ121KF25
	150	22*35	1.327	1.12	CEL385NJ151KE35
	150	25*30	1.327	1.14	CEL385NJ151KF30
	180	22*40	1.106	1.27	CEL385NJ181KE40
	180	25*35	1.106	1.30	CEL385NJ181KF35
	180	30*25	1.106	1.37	CEL385NJ181KG25
	220	22*45	0.905	1.42	CEL385NJ221KE45
	220	25*35	0.905	1.48	CEL385NJ221KF35
	220	30*30	0.905	1.49	CEL385NJ221KG30
	270	25*40	0.737	1.61	CEL385NJ271KF40
	270	30*35	0.737	1.64	CEL385NJ271KG35
	330	25*50	0.603	1.80	CEL385NJ331KF50
	330	30*40	0.603	1.85	CEL385NJ331KG40
	330	35*30	0.603	1.87	CEL385NJ331KA30
	390	30*40	0.510	2.05	CEL385NJ391KG40
	390	35*35	0.510	2.07	CEL385NJ391KA35
	470	30*50	0.423	2.26	CEL385NJ471KG50
470	35*40	0.423	2.26	CEL385NJ471KA40	
560	35*45	0.355	2.59	CEL385NJ561KA45	
680	35*50	0.293	2.80	CEL385NJ681KA50	
400V 450SV	82	22*25	2.427	0.84	CEL400NJ820KE25
	100	22*30	1.990	0.99	CEL400NJ101KE30
	120	25*25	1.659	1.13	CEL400NJ121KF25
	120	22*30	1.659	1.09	CEL400NJ121KE30
	150	22*35	1.327	1.24	CEL400NJ151KE35
	150	25*30	1.327	1.27	CEL400NJ151KF30
	180	22*40	1.106	1.41	CEL400NJ181KE40
	180	25*30	1.106	1.44	CEL400NJ181KF30
	180	30*25	1.106	1.52	CEL400NJ181KG25
	220	22*45	0.905	1.58	CEL400NJ221KE45
	220	25*30	0.900	1.54	CEL400NJ221KF30
	220	25*35	0.905	1.64	CEL400NJ221KF35
	220	30*30	0.905	1.66	CEL400NJ221KG30
	270	25*40	0.737	1.79	CEL400NJ271KF40
	270	30*30	0.737	1.82	CEL400NJ271KG30
	330	30*30	0.737	1.82	CEL400NJ331KG30
	330	30*30	0.603	2.05	CEL400NJ331KG30
	330	35*30	0.603	2.05	CEL400NJ331KA30
	330	25*45	0.603	2.00	CEL400NJ331KF45
	390	30*40	0.510	2.26	CEL400NJ391KG40
390	35*35	0.510	2.28	CEL400NJ391KA35	
470	30*45	0.423	2.51	CEL400NJ471KG45	
470	35*40	0.423	2.54	CEL400NJ471KA40	
560	35*50	0.355	3.13	CEL400NJ561KA50	
560	35*40	0.355	2.85	CEL400NJ561KA40	
680	35*50	0.293	3.10	CEL400NJ681KA50	
820	35*50	0.240	3.40	CEL400NJ821KA50	
420V 470SV	82	22*25	2.427	0.85	CEL420NJ820KE25
	100	22*30	1.990	0.97	CEL420NJ101KE30

Product specifications in this catalog are subject to change without notice. Request our product specifications before purchase and/or use. Please use our products based on the information contained in this catalog and product specifications

420V 470SV	100	25*25	1.990	0.98	CEL420NJ101KF25	450V 500SV	100	25*25	2.654	0.97	CEL450NJ101KF25
	120	22*30	1.659	1.07	CEL420NJ121KE30		120	22*30	2.212	1.00	CEL450NJ121KE30
	120	25*25	1.659	1.08	CEL420NJ121KF25		120	25*30	2.212	1.09	CEL450NJ121KF30
	150	22*35	1.327	1.21	CEL420NJ151KE35		120	22*30	2.212	1.00	CEL450NJ121KE30
	150	25*30	1.327	1.26	CEL420NJ151KF30		120	30*25	2.212	1.12	CEL450NJ121KG25
	150	30*25	1.327	1.30	CEL420NJ151KG25		150	22*40	1.769	1.18	CEL450NJ151KE40
	180	22*40	1.106	1.33	CEL420NJ181KE40		150	25*30	1.769	1.25	CEL450NJ151KF30
	180	25*35	1.106	1.42	CEL420NJ181KF35		150	30*25	1.769	1.29	CEL450NJ151KG25
	180	30*25	1.106	1.48	CEL420NJ181KG25		180	30*25	1.470	1.35	CEL450NJ181KG25
	220	22*45	0.905	1.55	CEL420NJ221KE45		180	22*45	1.474	1.32	CEL450NJ181KE45
	220	25*35	0.905	1.58	CEL420NJ221KF35		180	25*35	1.474	1.40	CEL450NJ181KF35
	220	30*30	0.905	1.65	CEL420NJ221KG30		180	30*25	1.474	1.45	CEL450NJ181KG25
	270	25*40	0.737	1.74	CEL420NJ271KA40		220	25*40	1.206	1.59	CEL450NJ221KF40
	270	30*35	0.737	1.90	CEL420NJ271KG35		220	30*30	1.206	1.64	CEL450NJ221KG30
	270	35*30	0.737	1.94	CEL420NJ271KA30		220	35*30	1.206	1.66	CEL450NJ221KA30
	330	25*50	0.603	2.20	CEL420NJ331KF50		270	25*45	0.983	1.73	CEL450NJ271KF45
	330	30*35	0.603	1.98	CEL420NJ331KG35		270	30*30	0.983	1.78	CEL450NJ271KG30
	330	35*35	0.603	2.17	CEL420NJ331KA35		270	30*35	0.983	1.89	CEL450NJ271KG35
	390	30*40	0.510	2.22	CEL420NJ391KG40		270	35*30	0.983	1.90	CEL450NJ271KA30
	390	35*35	0.510	2.27	CEL420NJ391KA35		330	35*35	0.804	2.15	CEL450NJ331KA35
470	30*45	0.423	2.50	CEL420NJ471KG45	330	30*40	0.804	2.12	CEL450NJ331KG40		
470	35*40	0.423	2.61	CEL420NJ471KA40	390	30*45	0.680	2.35	CEL450NJ391KG45		
560	35*45	0.355	2.95	CEL420NJ561KA45	390	35*40	0.680	2.38	CEL450NJ391KA40		
450V	68	22*25	3.903	0.71	CEL450NJ680KE25	470	35*50	0.565	2.80	CEL450NJ471KA50	
500SV	82	22*25	3.236	0.86	CEL450NJ820KE25	470	35*45	0.565	2.68	CEL450NJ471KA45	

RATED RIPPLE CURRENT MULTIPLIERS

Frequency Multipliers	Frequency (HZ)	50	120	300	1K	10K	50K
	10~250vdc	0.81	1.00	1.17	1.32	1.45	1.50
	315~450vdc	0.77	1.00	1.16	1.30	1.41	1.43

The endurance of capacitors is reduced with internal heating produced by ripple current at the rate of halving the lifetime with every 5°C rise. When long life performance is required in actual use, the rms ripple current has to be reduced.